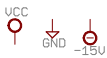
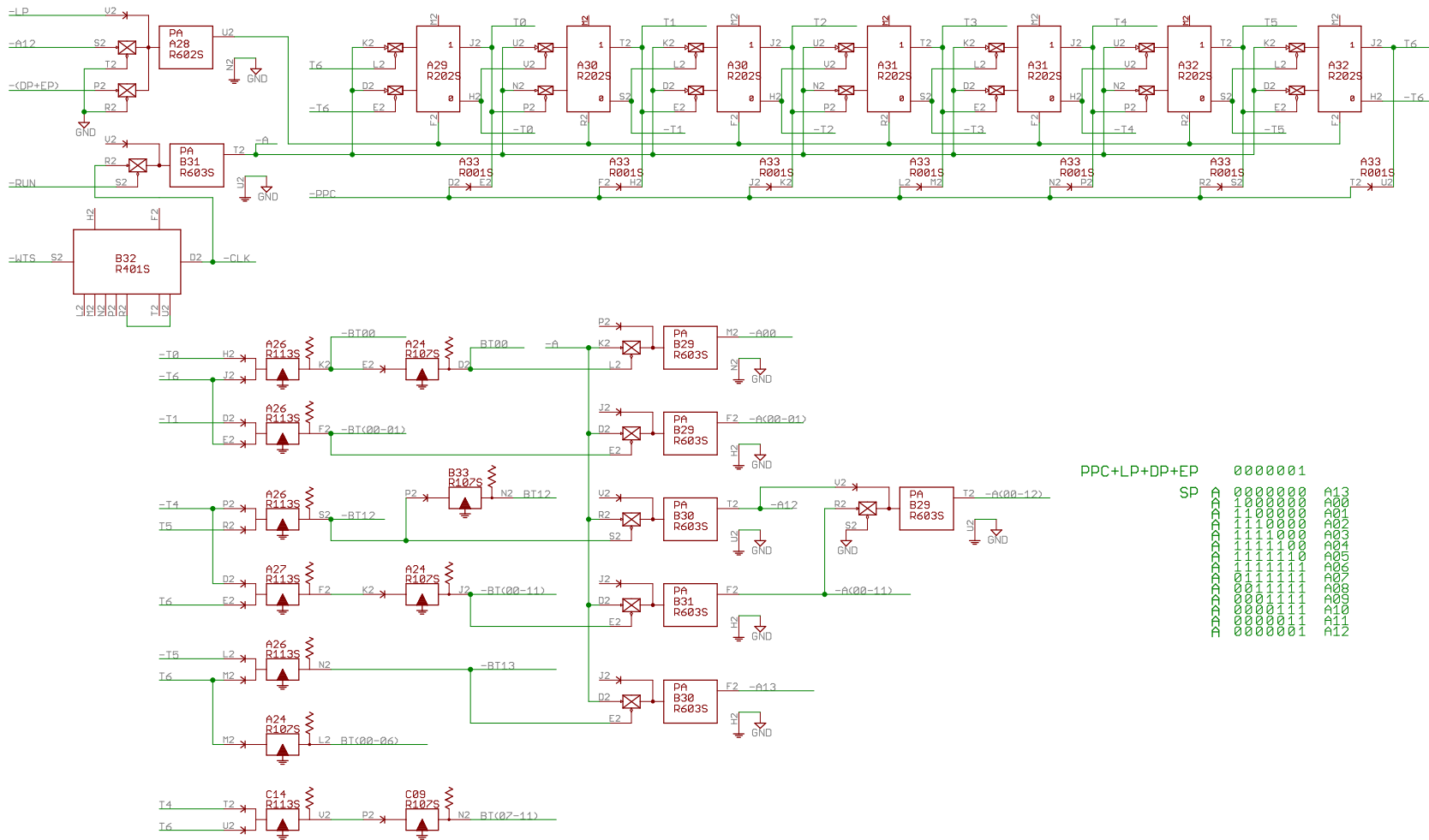
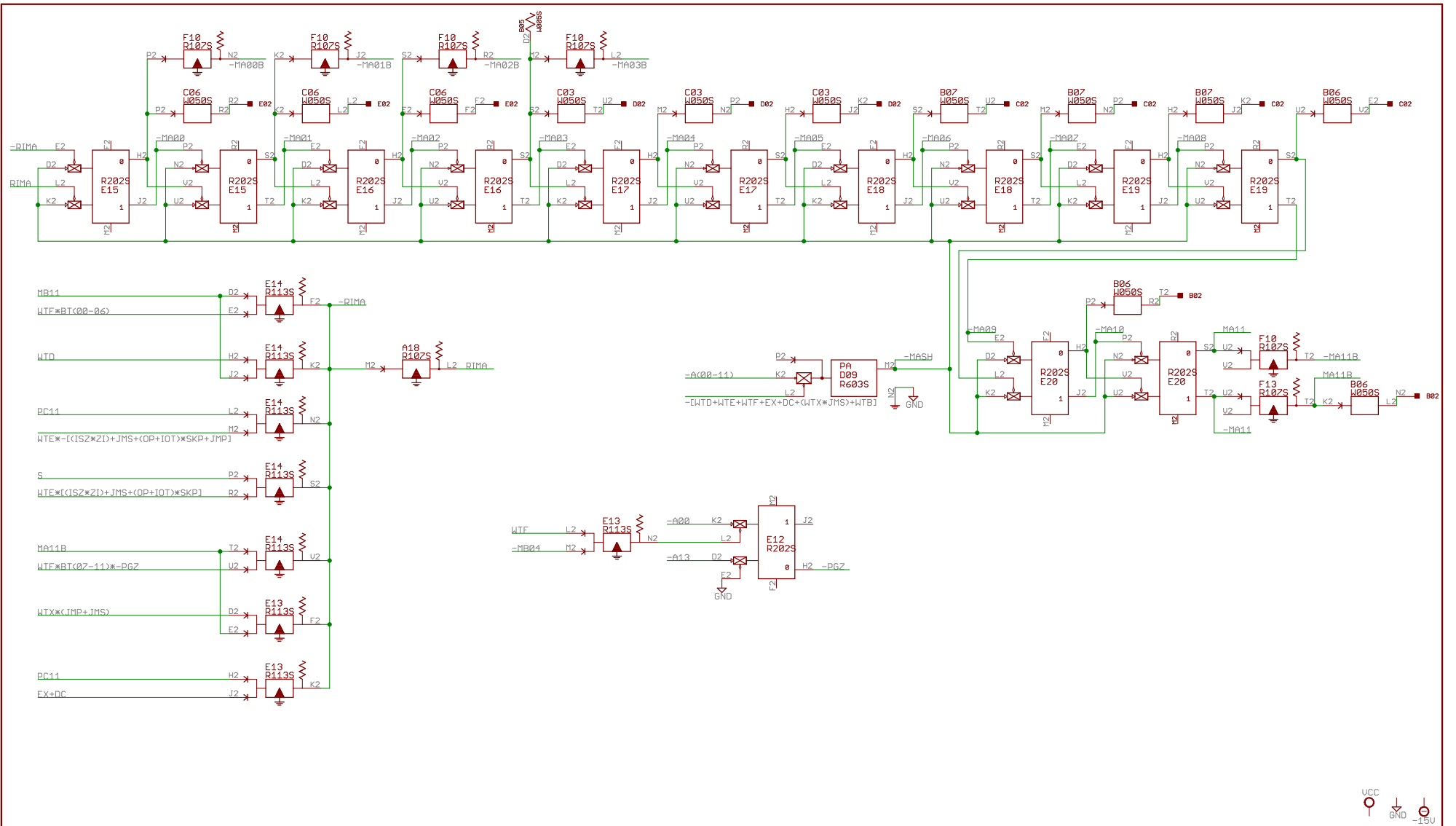


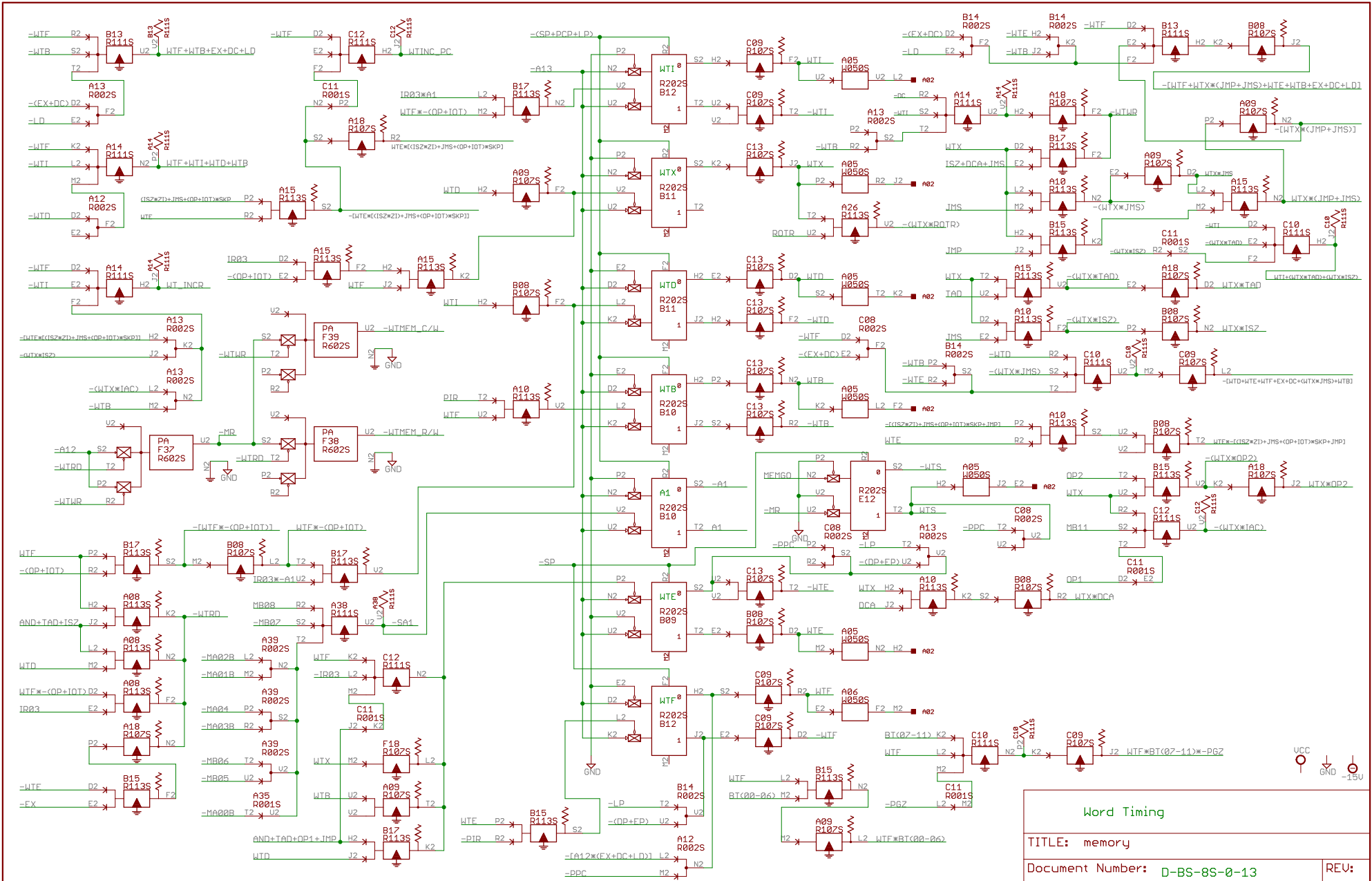
Link and Skip Control	
TITLE: memory	
Document Number: D-BS-8S-0-10	REV:
Date: 8/16/2025 11:47:27 PM	Sheet: 3/15



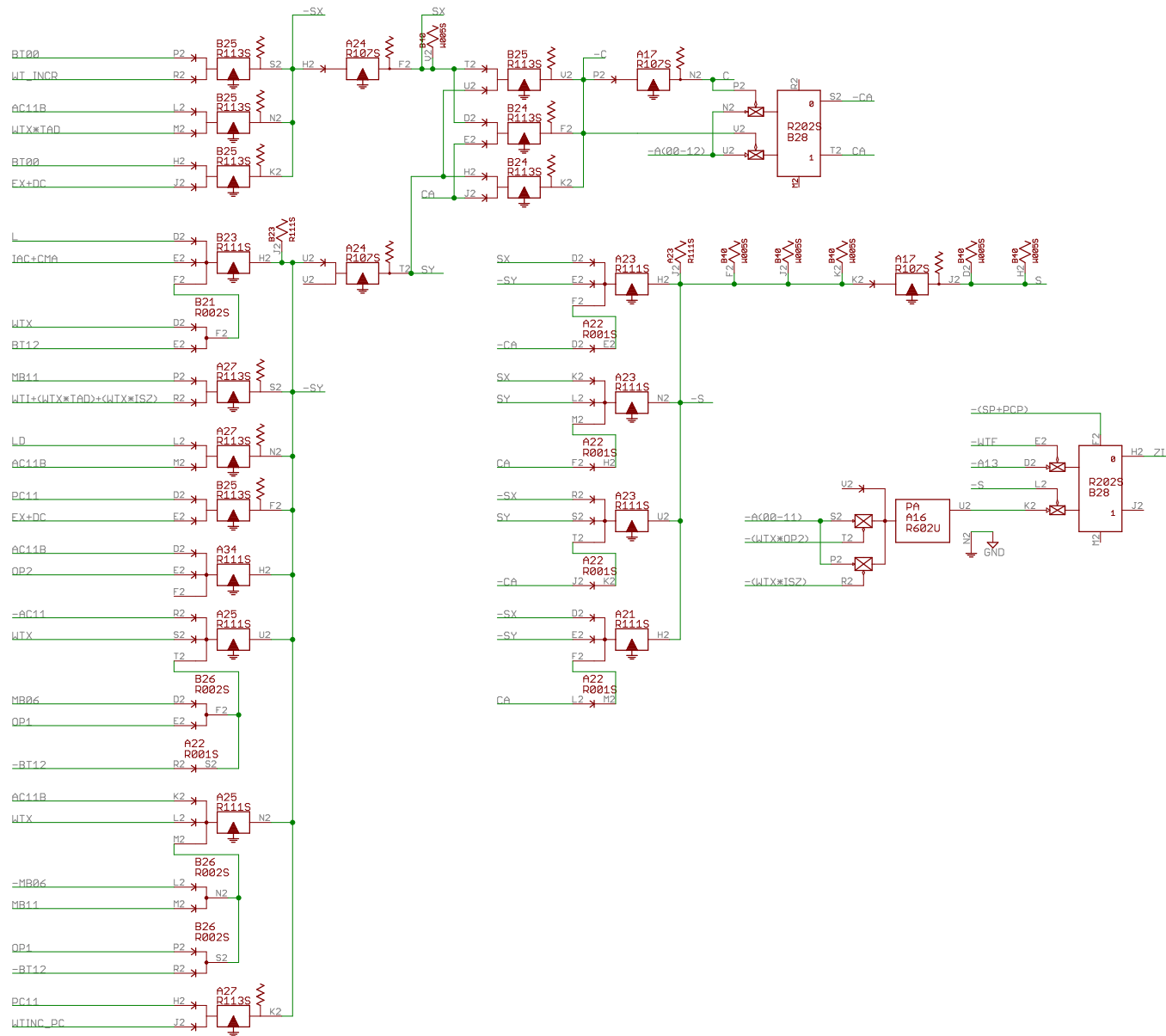
Bit Timing	
TITLE: memory	
Document Number: D-BS-8S-0-11	REV:
Date: 8/16/2025 11:47:27 PM	Sheet: 4/15



Memory Address	
TITLE: memory	
Document Number: D-BS-8S-0-12	REV:
Date: 8/16/2025 11:47:27 PM	Sheet: 5/15



Word Timing	
TITLE:	memory
Document Number:	D-BS-8S-0-13
REV:	
Date:	8/16/2025 11:47:27 PM
Sheet:	6/15

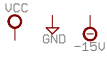
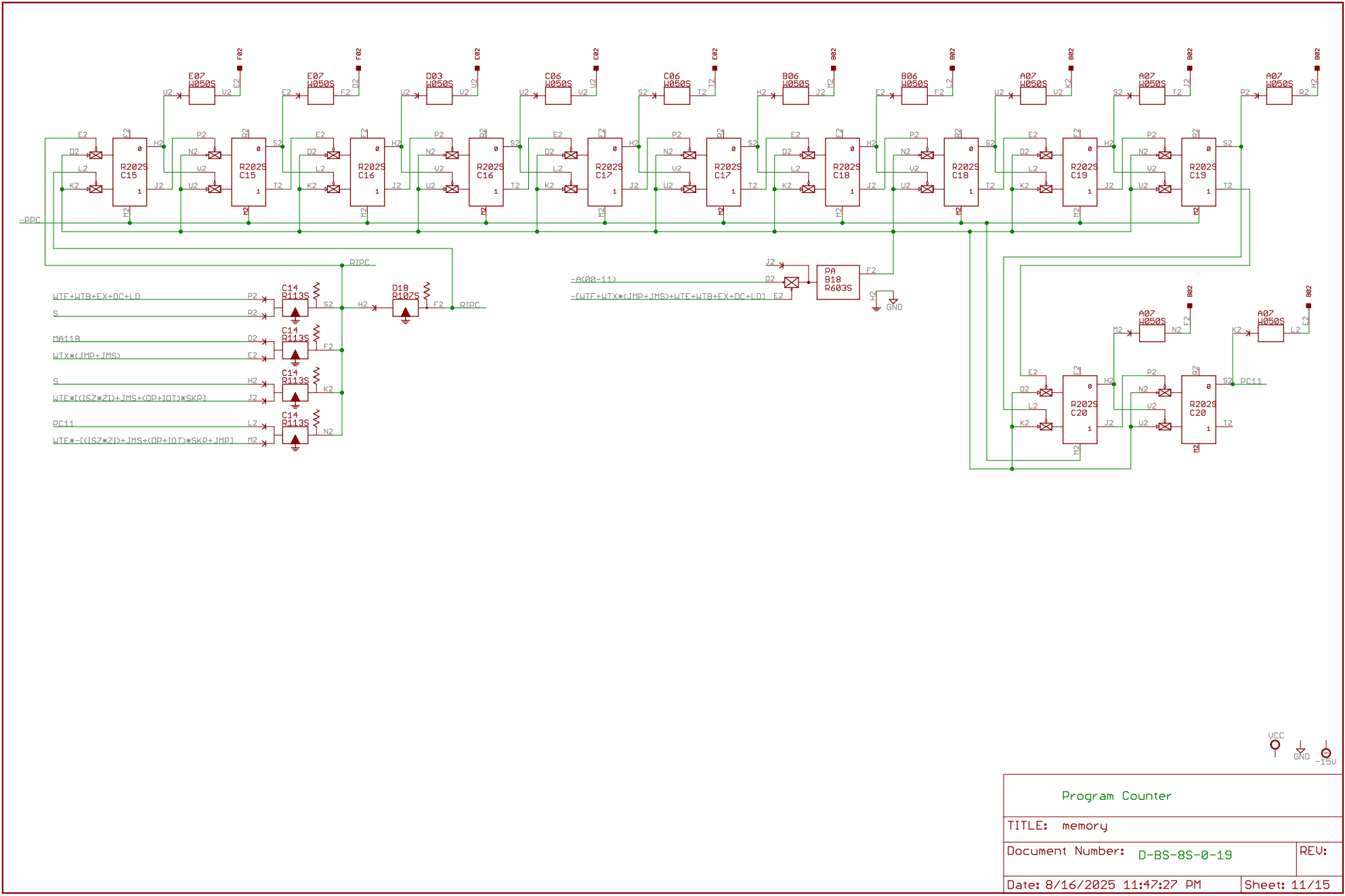


Adder	
TITLE: memory	
Document Number: D-BS-8S-0-14	REV:
Date: 8/16/2025 11:47:27 PM	Sheet: 7/15



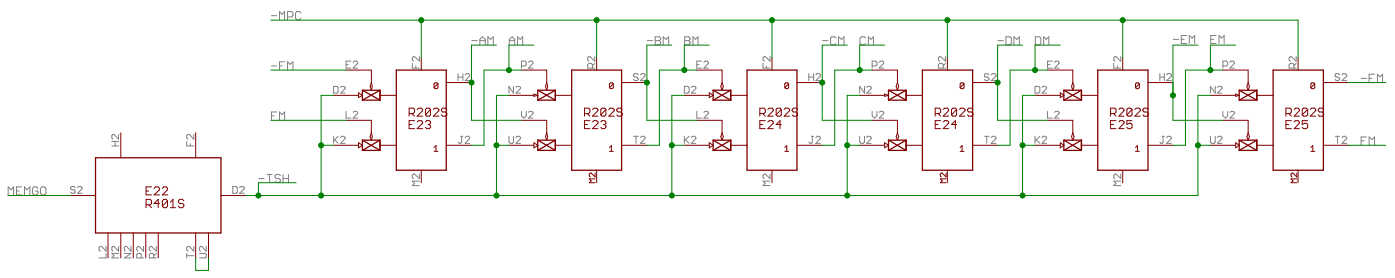
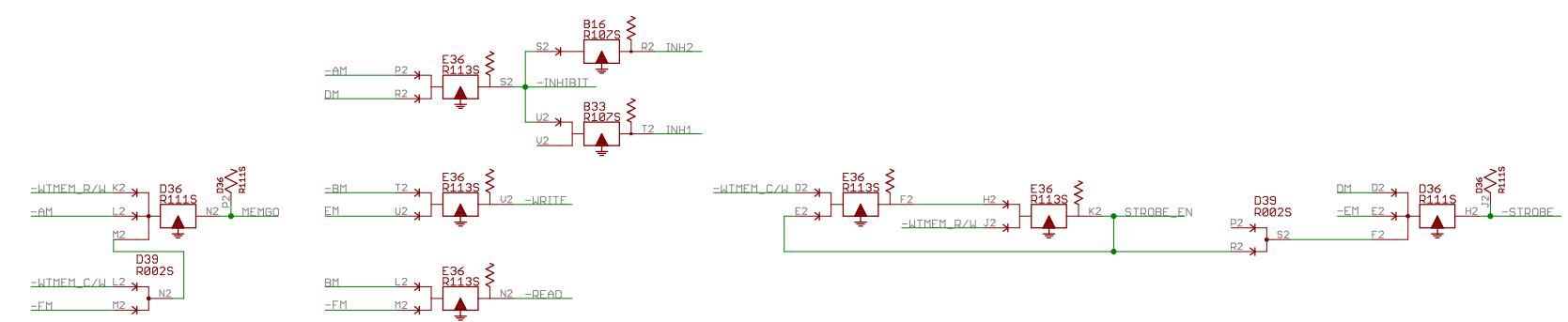






Program Counter	
TITLE: memory	
Document Number: D-BS-8S-0-19	REV:
Date: 8/16/2025 11:47:27 PM	Sheet: 11/15





Memory Control	
TITLE: memory	
Document Number: D-BS-8S-0-22	REV:
Date: 8/16/2025 11:47:27 PM	Sheet: 13/15



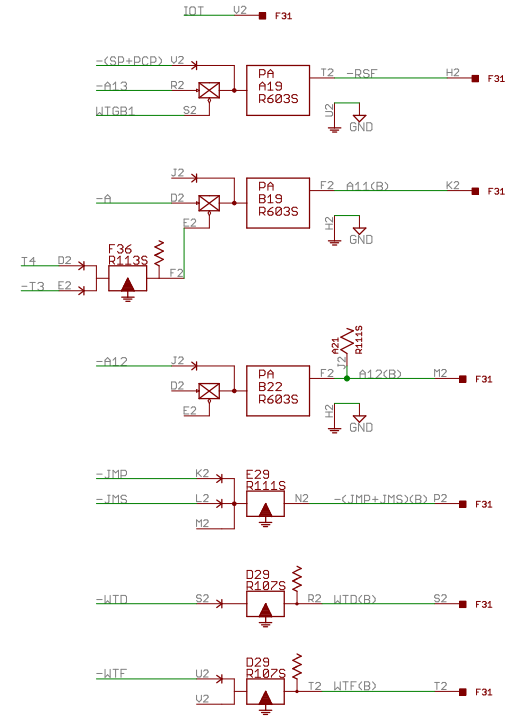
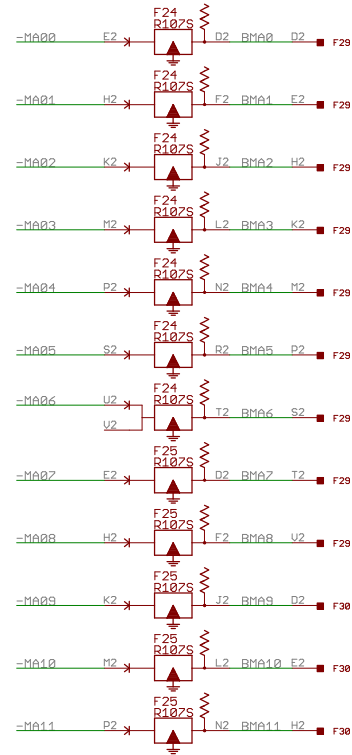
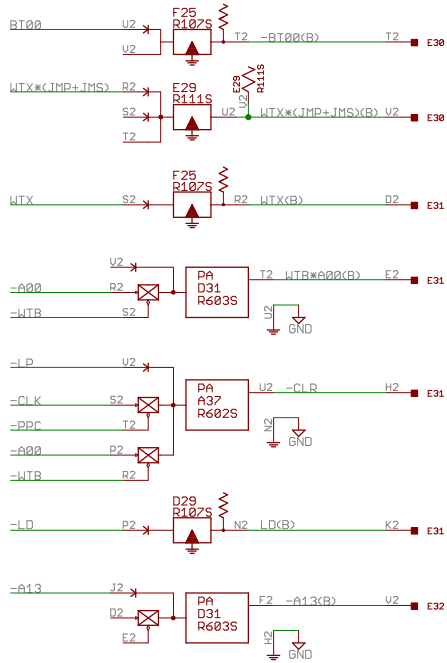
SDF0 D2 E30  
 SDF1 E2 E30  
 SDF2 H2 E30  
 SIF0 K2 E30  
 SIF1 M2 E30  
 SIF2 P2 E30  
 (ISZ+DCA)(B) S2 E30

E31 M2 DF0 M2 F02  
 E31 P2 DF1 L2 F02  
 E31 S2 DF2 K2 F02  
 E31 T2 IF0 J2 F02  
 E31 U2 IF1 H2 F02

E32 D2 -MEM06  
 E32 E2 -MEM07  
 E32 H2 -MEM08  
 E32 K2 -MEM09  
 E32 M2 -MEM10  
 E32 P2 -MEM11  
 E32 S2 MDS  
 E32 T2 IF2 F2 F02  
 E32 U2 -MEM05

F30 K2 -MEM00  
 F30 M2 -MEM01  
 F30 P2 -MEM02  
 F30 S2 -MEM03  
 F30 T2 -MEM04  
 F30 U2 -MEM05

WRITE D2 F31  
 READ E2 F31



OMD8S Connectors and Logic (in 8S)

TITLE: memory

Document Number: D-BS-OMD8S-0-4 (2)

REV:

Date: 8/16/2025 11:47:27 PM

Sheet: 15/15